

MOLDED WIRE WOUND CHIP INDUCTOR

繞線式電感

ACWS series 系列

INTRODUCTION 產品介紹

These revolutionary, highly reliable wire wound chip inductors for automatic mounting have been developed in response to the trend toward high density in electronic equipment. With metal terminals and a body of heat resistant resin, these inductors offer many superior features.

爲了因應電子設備漸趨高密度黏著之趨勢，我們開發了 EBWS 這一系列高信賴度繞線電感，由於本體由耐熱樹脂做成加上金屬電極端，本系列電感提供更優越之特性。

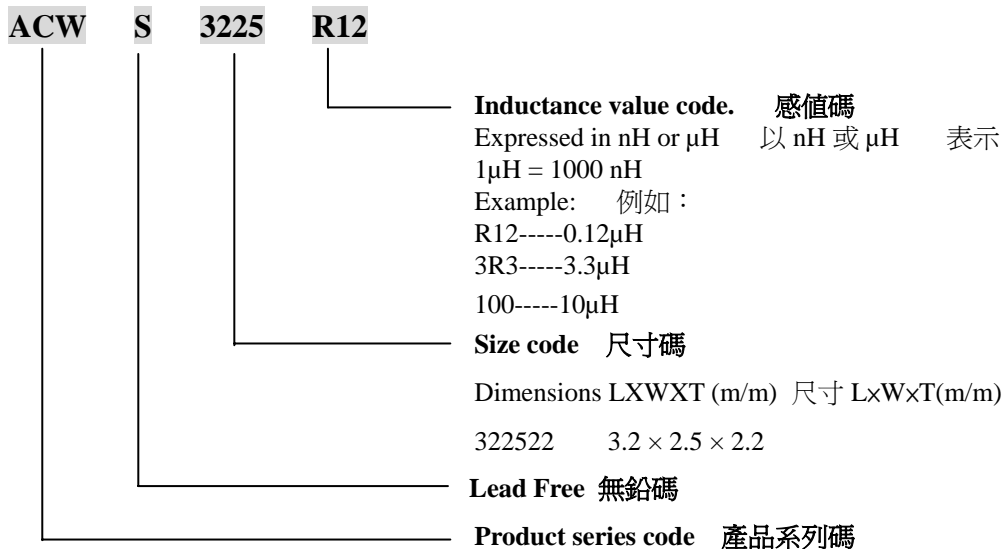
FEATURES 特色

1. Operating temperature : -25°C to +85°C 操作溫度：-25°C至+85°C
2. Excellent solderability and resistance to soldering heat. 優越之銲錫性及銲錫熱阻抗
3. Suitable for flow and reflow soldering. 適合 flow 及 reflow 兩種銲錫方式
4. JIS/EIA dimensions, high reliability, and easy for (easy for) surface mount assembly.
標準 JIS/EIA 尺寸、高信賴性、易於表面黏著組裝
5. Wide range of inductance values are available for flexible needs.
涵蓋之感值範圍相當寬，適合各種彈性需求
6. Consisting of 2520、3225 and 4532 sizes. 包含 2520、3225 和 4532 尺寸

APPLICATION 適用產品

1. Personal computer. 個人電腦
2. Disk drivers and Computer peripherals 各式磁碟及電腦週邊設備
3. Communication 通訊設備
4. VCD, DVD AND TV-circuit VCD、DVD 及 TV 電路
5. Test equipments. 測試設備

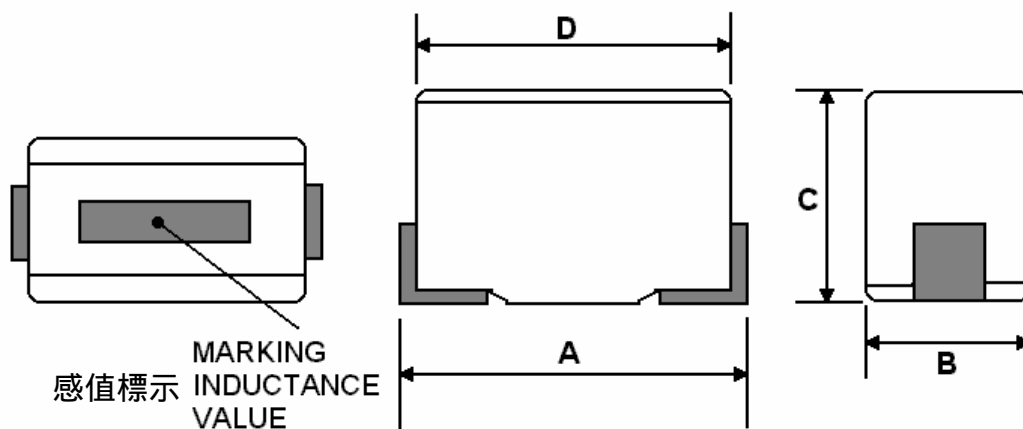
PART NUMBER SYSTEM



* Max Echo reserves the rights for revising the content of this catalog without further notification.
鈺鎧保留更改此目錄中任何內容之權利，而不再另行通知。

ACWS series 系列

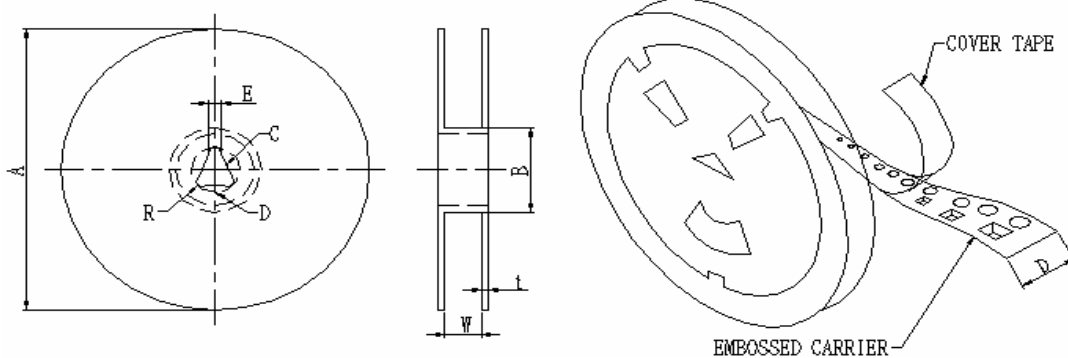
SHAPES AND DIMENSIONS 形狀及尺寸



SHAPE 尺寸	A m/m	B m/m	C m/m	D m/m
ACWS252018	2.5±0.2	2.0±0.2	1.8±0.2	2.2±0.1
ACWS322522	3.2±0.3	2.5±0.2	2.2±0.2	2.9±0.1
ACWS453232	4.5±0.3	3.2±0.2	3.2±0.2	4.2±0.1

REEL DIMENSIONS 捲軸尺寸

TAPING FIGURE



Unit:m/m

STYLE	A	B	C	D	E	W	t	R
T	178±2.0	50or more	13.0±0.5	21.0±0.5	2.0±0.5	10.0±1.5	2.0±0.5	1.0

* Max Echo reserves the rights for revising the content of this catalog without further notification.

鈺鏡保留更改此目錄中任何內容之權利。而不再另行通知。

MOLDED WIRE WOUND CHIP INDUCTOR 繞線式電感

ACWS series FOR HIGH CURRENT

ACWS 系列適用於大電流

Electrical Characteristics 電氣特性

SHAPE(尺寸):3225

Part Number 產品料號	Inductance 感值 (μH)	Q Min. 品質係數	Test Frequency L,Q(MHz) 測試頻率	Self-resonant Frequency (MHz)Min 共振頻率	DC Resistance 直流阻抗 (Ω)Max.	Rated Current 耐電流 (mA)Max.
ACWS3225-1R0M	1.00 \pm 20%	10	7.960	100	0.156	770
ACWS3225-1R5M	1.50 \pm 20%	10	7.960	80	0.195	580
ACWS3225-2R2M	2.20 \pm 20%	10	7.960	65	0.260	480
ACWS3225-3R3M	3.30 \pm 20%	10	7.960	55	0.325	400
ACWS3225-4R7M	4.70 \pm 20%	10	7.960	45	0.520	320
ACWS3225-6R8M	6.80 \pm 20%	10	7.960	35	0.650	280
ACWS3225-100K	10 \pm 10%	15	2.520	28	1.105	220
ACWS3225-150K	15 \pm 10%	15	2.520	25	1.690	180
ACWS3225-220K	22 \pm 10%	15	2.520	20	2.600	145
ACWS3225-330K	33 \pm 10%	15	2.520	15	3.640	115
ACWS3225-470K	47 \pm 10%	20	2.520	13	5.460	105
ACWS3225-680K	68 \pm 10%	20	2.520	10	8.450	85
ACWS3225-820K	82 \pm 10%	20	2.520	9	8.710	80
ACWS3225-101K	100 \pm 10%	20	0.796	8	10.140	75

* Max Echo reserves the rights for revising the content of this catalog without further notification.

鈺鎧保留更改此目錄中任何內容之權利. 而不再另行通知.

MOLDED WIRE WOUND CHIP INDUCTOR 繞線式電感

ACWS series FOR HIGH CURRENT

ACWS 系列適用於大電流

Electrical Characteristics 電氣特性

SHAPE(尺寸):4532

Part Number 產品料號	Inductance 感值 (μ H)	Q Min. 品質係數	Test Frequency L,Q(MHz) 測試頻率	Self-resonant Frequency (MHz)Min 共振頻率	DC Resistance 直流阻抗 (Ω)Max.	Rated Current 耐電流 (mA)Max.
ACWS4532-1R0K	1.00 \pm 10%	10	7.96	180	0.11	1050
ACWS4532-1R2K	1.20 \pm 10%	10	7.96	160	0.12	1000
ACWS4532-1R5K	1.50 \pm 10%	10	7.96	130	0.15	950
ACWS4532-1R8K	1.80 \pm 10%	10	7.96	100	0.16	900
ACWS4532-2R2K	2.20 \pm 10%	10	7.96	80	0.18	850
ACWS4532-2R7K	2.70 \pm 10%	10	7.96	60	0.20	800
ACWS4532-3R3K	3.30 \pm 10%	10	7.96	45	0.22	750
ACWS4532-3R9K	3.90 \pm 10%	10	7.96	40	0.24	700
ACWS4532-4R7K	4.70 \pm 10%	10	7.96	35	0.27	650
ACWS4532-5R6K	5.60 \pm 10%	10	7.96	30	0.30	650
ACWS4532-6R8K	6.80 \pm 10%	10	7.96	28	0.35	600
ACWS4532-8R2K	8.20 \pm 10%	10	7.96	25	0.40	600
ACWS4532-100K	10 \pm 10%	10	2.52	22	0.50	550
ACWS4532-120K	12 \pm 10%	10	2.52	21	0.60	500
ACWS4532-150K	15 \pm 10%	10	2.52	20	0.70	450
ACWS4532-180K	18 \pm 10%	10	2.52	19	0.80	400
ACWS4532-220K	22 \pm 10%	10	2.52	18	0.90	370
ACWS4532-270K	27 \pm 10%	10	2.52	16	1.20	330
ACWS4532-330K	33 \pm 10%	10	2.52	14	1.40	300
ACWS4532-390K	39 \pm 10%	10	2.52	12	1.60	280
ACWS4532-470K	47 \pm 10%	10	2.52	11.5	1.90	260
ACWS4532-560K	56 \pm 10%	10	2.52	11	2.20	240
ACWS4532-680K	68 \pm 10%	10	2.52	10	2.60	220
ACWS4532-820K	82 \pm 10%	10	2.52	9.0	3.50	200
ACWS4532-101K	100 \pm 10%	20	0.796	8.0	4.00	180
ACWS4532-121K	120 \pm 10%	20	0.796	7.5	4.50	160
ACWS4532-151K	150 \pm 10%	20	0.796	7.0	6.50	140
ACWS4532-181K	180 \pm 10%	20	0.796	6.5	7.50	120
ACWS4532-221K	220 \pm 10%	20	0.796	5.5	9.00	120
ACWS4532-271K	270 \pm 10%	20	0.796	5.0	11.00	100
ACWS4532-331K	330 \pm 10%	20	0.796	4.0	13.00	90
ACWS4532-391K	390 \pm 10%	30	0.796	3.0	13.50	85
ACWS4532-471K	470 \pm 10%	30	0.796	3.0	15.00	75
ACWS4532-561K	560 \pm 10%	30	0.796	3.0	17.00	70
ACWS4532-681K	680 \pm 10%	30	0.796	2.5	22.80	65

* Max Echo reserves the rights for revising the content of this catalog without further notification.

鈺鎧保留更改此目錄中任何內容之權利，而不再另行通知。