

# MOLDED WIRE WOUND CHIP INDUCTOR

繞線式電感

## EBWS & ACWS series 系列

### INTRODUCTION 產品介紹

These revolutionary, highly reliable wire wound chip inductors for automatic mounting have been developed in response to the trend toward high density in electronic equipment. With metal terminals and a body of heat resistant resin, these inductors offer many superior features.

爲了因應電子設備漸趨高密度黏著之趨式，我們開發了 EBWS 這一系列高信賴度繞線電感，由於本體由耐熱樹脂做成加上金屬電極端，本系列電感提供更優越之特性。

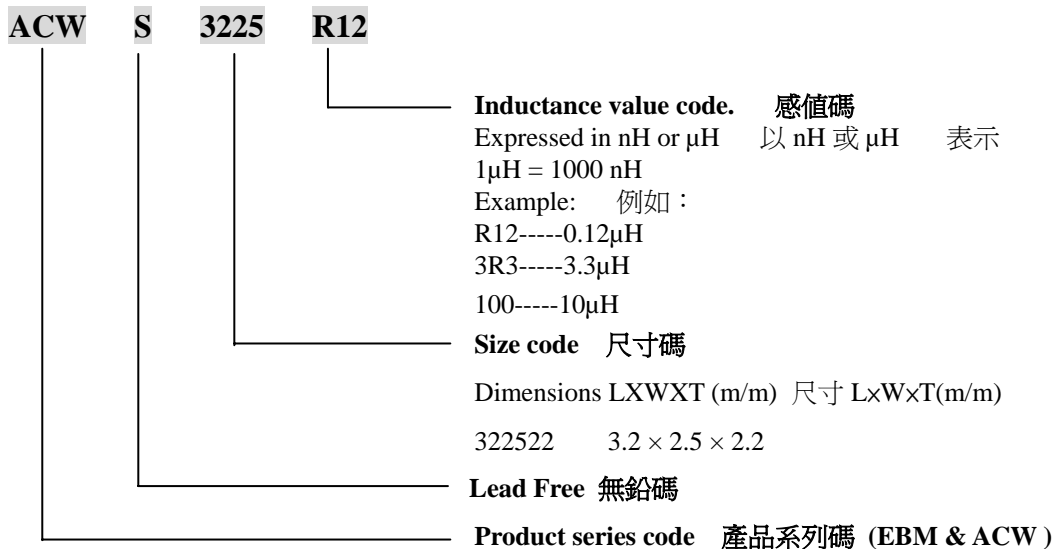
### FEATURES 特色

1. Operating temperature : -25°C to +85°C 操作溫度：-25°C至+85°C
2. Excellent solderability and resistance to soldering heat. 優越之銲錫性及銲錫熱阻抗
3. Suitable for flow and reflow soldering. 適合 flow 及 reflow 兩種銲錫方式
4. JIS/EIA dimensions, high reliability, and easy for (easy for) surface mount assembly.  
標準 JIS/EIA 尺寸、高信賴性、易於表面黏著組裝
5. Wide range of inductance values are available for flexible needs.  
涵蓋之感值範圍相當寬，適合各種彈性需求
6. Consisting of 2520、3225 and 4532 sizes. 包含 2520、3225 和 4532 尺寸

### APPLICATION 適用產品

1. Personal computer. 個人電腦
2. Disk drivers and Computer peripherals 各式磁碟及電腦週邊設備
3. Communication 通訊設備
4. VCD, DVD AND TV-circuit VCD、DVD 及 TV 電路
5. Test equipments. 測試設備

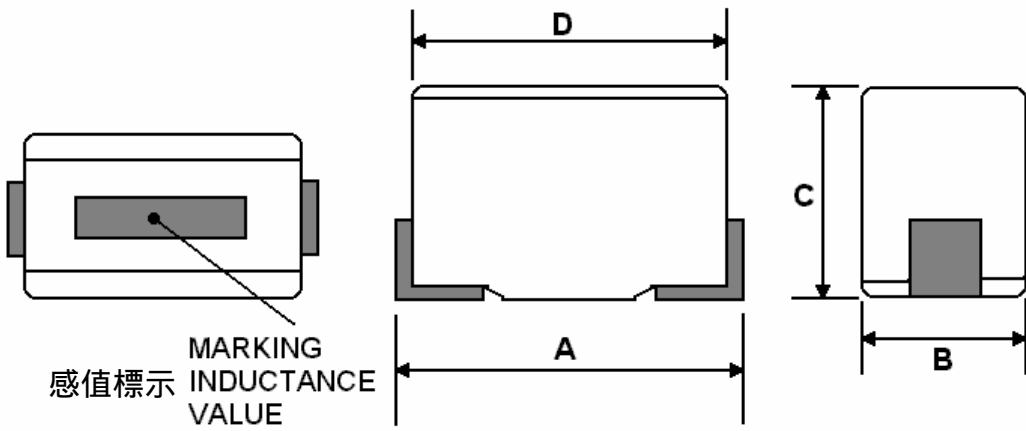
### PART NUMBER SYSTEM



\* Max Echo reserves the rights for revising the content of this catalog without further notification.  
鈺鎧保留更改此目錄中任何內容之權利，而不再另行通知。

# EBWS & ACWS series 系列

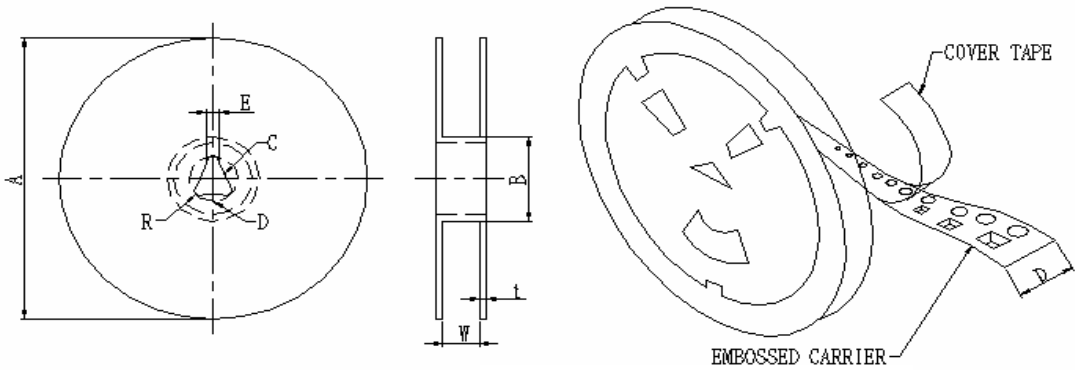
## SHAPES AND DIMENSIONS 形狀及尺寸



SHAPE 尺寸	A m/m	B m/m	C m/m	D m/m
EBWS/ACWS252018	2.5±0.2	2.0±0.2	1.8±0.2	2.2±0.1
EBWS/ACWS322522	3.2±0.3	2.5±0.2	2.2±0.2	2.9±0.1
EBWS/ACWS453232	4.5±0.3	3.2±0.2	3.2±0.2	4.2±0.1

## REEL DIMENSIONS 捲軸尺寸

## TAPING FIGURE



Unit:m/m

STYLE	A	B	C	D	E	W	t	R
T	178±2.0	50or more	13.0±0.5	21.0±0.5	2.0±0.5	10.0±1.5	2.0±0.5	1.0

\* Max Echo reserves the rights for revising the content of this catalog without further notification.  
 鈺鏡保留更改此目錄中任何內容之權利. 而不再另行通知.