

MOLDED WIRE WOUND CHIP INDUCTOR

繞線式電感

EBWS series 系列

INTRODUCTION 產品介紹

These revolutionary, highly reliable wire wound chip inductors for automatic mounting have been developed in response to the trend toward high density in electronic equipment. With metal terminals and a body of heat resistant resin, these inductors offer many superior features.

爲了因應電子設備漸趨高密度黏著之趨勢，我們開發了 EBWS 這一系列高信賴度繞線電感，由於本體由耐熱樹脂做成加上金屬電極端，本系列電感提供更優越之特性。

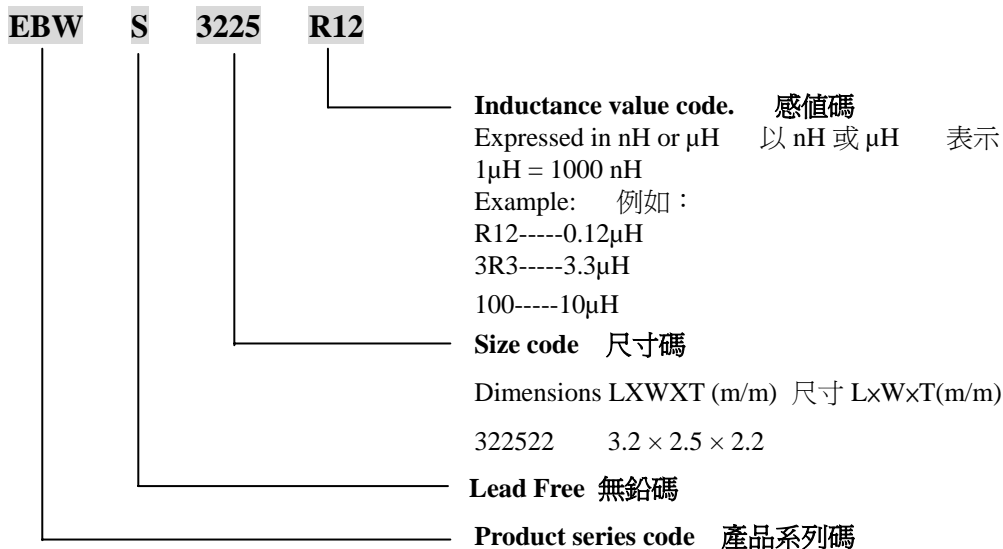
FEATURES 特色

1. Operating temperature : -25°C to +85°C 操作溫度：-25°C至+85°C
2. Excellent solderability and resistance to soldering heat. 優越之銲錫性及銲錫熱阻抗
3. Suitable for flow and reflow soldering. 適合 flow 及 reflow 兩種銲錫方式
4. JIS/EIA dimensions, high reliability, and easy for (easy for) surface mount assembly.
標準 JIS/EIA 尺寸、高信賴性、易於表面黏著組裝
5. Wide range of inductance values are available for flexible needs.
涵蓋之感值範圍相當寬，適合各種彈性需求
6. Consisting of 2520、3225 and 4532 sizes. 包含 2520、3225 和 4532 尺寸

APPLICATION 適用產品

1. Personal computer. 個人電腦
2. Disk drivers and Computer peripherals 各式磁碟及電腦週邊設備
3. Communication 通訊設備
4. VCD, DVD AND TV-circuit VCD、DVD 及 TV 電路
5. Test equipments. 測試設備

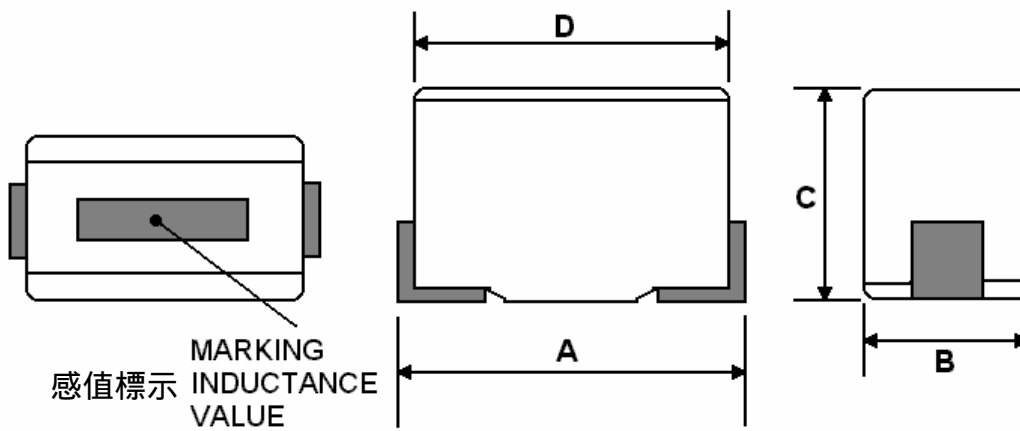
PART NUMBER SYSTEM



* Max Echo reserves the rights for revising the content of this catalog without further notification.
鈺鎧保留更改此目錄中任何內容之權利，而不再另行通知。

EBWS series 系列

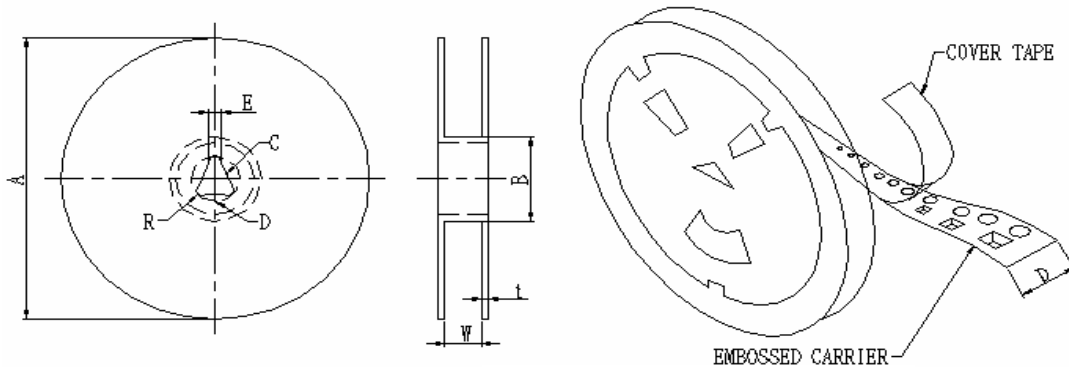
SHAPES AND DIMENSIONS 形狀及尺寸



SHAPE 尺寸	A m/m	B m/m	C m/m	D m/m
EBWS252018	2.5±0.2	2.0±0.2	1.8±0.2	2.2±0.1
EBWS322522	3.2±0.3	2.5±0.2	2.2±0.2	2.9±0.1
EBWS453232	4.5±0.3	3.2±0.2	3.2±0.2	4.2±0.1

REEL DIMENSIONS 捲軸尺寸

TAPING FIGURE



Unit:m/m

STYLE	A	B	C	D	E	W	t	R
T	178±2.0	50or more	13.0±0.5	21.0±0.5	2.0±0.5	10.0±1.5	2.0±0.5	1.0

* Max Echo reserves the rights for revising the content of this catalog without further notification.
 鈺鏡保留更改此目錄中任何內容之權利. 而不再另行通知.

MOLDED WIRE WOUND CHIP INDUCTOR 繞線式電感

EBWS series 系列

Electrical Characteristics 電氣特性

SHAPE(尺寸):2520

Part Number 產品料號	Inductance 感值 (μH)	Q Min. 品質係數	Test Frequency L,Q(MHz) 測試頻率	Self-resonant Frequency (MHz)Min 共振頻率	DC Resistance 直流阻抗 (Ω)Max.	Rated Current 耐電流 (mA)Max.
EBWS2520-R10J	0.10 \pm 5%	20	100	800	0.80	280
EBWS2520-R12J	0.12 \pm 5%	30	25.2	700	0.30	550
EBWS2520-R15J	0.15 \pm 5%	30	25.2	550	0.35	500
EBWS2520-R18J	0.18 \pm 5%	30	25.2	500	0.40	460
EBWS2520-R22J	0.22 \pm 5%	30	25.2	450	0.50	430
EBWS2520-R27J	0.27 \pm 5%	30	25.2	425	0.55	420
EBWS2520-R33J	0.33 \pm 5%	30	25.2	400	0.60	400
EBWS2520-R39J	0.39 \pm 5%	30	25.2	375	0.65	375
EBWS2520-R47J	0.47 \pm 5%	30	25.2	350	0.68	350
EBWS2520-R56J	0.56 \pm 5%	30	25.2	325	0.75	325
EBWS2520-R68J	0.68 \pm 5%	30	25.2	300	0.85	300
EBWS2520-R82J	0.82 \pm 5%	30	25.2	260	1.00	260
EBWS2520-1R0J	1.00 \pm 5%	30	7.96	245	1.10	245
EBWS2520-1R2J	1.20 \pm 5%	30	7.96	230	1.20	230
EBWS2520-1R5J	1.50 \pm 5%	30	7.96	182	1.30	220
EBWS2520-1R8J	1.80 \pm 5%	30	7.96	135	1.45	210
EBWS2520-2R2J	2.20 \pm 5%	30	7.96	105	1.55	200
EBWS2520-2R7J	2.70 \pm 5%	30	7.96	70	1.70	195
EBWS2520-3R3J	3.30 \pm 5%	30	7.96	55	1.90	185
EBWS2520-3R9J	3.90 \pm 5%	30	7.96	48	2.10	180
EBWS2520-4R7J	4.70 \pm 5%	30	7.96	43	2.30	175
EBWS2520-5R6J	5.60 \pm 5%	25	7.96	42	2.50	170
EBWS2520-6R8J	6.80 \pm 5%	25	7.96	39	2.70	165
EBWS2520-8R2J	8.20 \pm 5%	25	7.96	36	3.05	160
EBWS2520-100J	10 \pm 5%	25	2.52	33	3.50	155
EBWS2520-120J	12 \pm 5%	25	2.52	30	3.80	150
EBWS2520-150J	15 \pm 5%	25	2.52	26	4.40	140
EBWS2520-180J	18 \pm 5%	25	2.52	24	4.80	130
EBWS2520-220J	22 \pm 5%	25	2.52	22	5.50	125
EBWS2520-270J	27 \pm 5%	25	2.52	21	6.30	115
EBWS2520-330J	33 \pm 5%	25	2.52	20	7.10	110
EBWS2520-390J	39 \pm 5%	20	2.52	18	9.50	90
EBWS2520-470J	47 \pm 5%	20	2.52	17	11.1	80
EBWS2520-560J	56 \pm 5%	20	2.52	16	12.1	75
EBWS2520-680J	68 \pm 5%	20	2.52	15	16.6	70
EBWS2520-820J	82 \pm 5%	20	2.52	13	19	66
EBWS2520-101J	100 \pm 5%	15	0.796	12	21	60

* Max Echo reserves the rights for revising the content of this catalog without further notification.

鈺鎧保留更改此目錄中任何內容之權利。而不再另行通知。

MOLDED WIRE WOUND CHIP INDUCTOR 繞線式電感

EBWS series 系列

Electrical Characteristics 電氣特性

SHAPE(尺寸):3225

Part Number 產品料號	Inductance 感值 (μH)	Q Min. 品質係數	Test Frequency L,Q(MHz) 測試頻率	Self-resonant Frequency (MHz)Min 共振頻率	DC Resistance 直流阻抗 (Ω)Max.	Rated Current 耐電流 (mA)Max.
EBWS3225-R10M	0.10 \pm 20%	28	100	700	0.44	450
EBWS3225-R12M	0.12 \pm 20%	30	25.20	500	0.22	450
EBWS3225-R15M	0.15 \pm 20%	30	25.20	450	0.25	450
EBWS3225-R18M	0.18 \pm 20%	30	25.20	400	0.28	450
EBWS3225-R22M	0.22 \pm 20%	30	25.20	350	0.32	450
EBWS3225-R27M	0.27 \pm 20%	30	25.20	320	0.36	450
EBWS3225-R33M	0.33 \pm 20%	30	25.20	300	0.40	450
EBWS3225-R39M	0.39 \pm 20%	30	25.20	250	0.45	450
EBWS3225-R47M	0.47 \pm 20%	30	25.20	220	0.50	450
EBWS3225-R56M	0.56 \pm 20%	30	25.20	180	0.55	450
EBWS3225-R68M	0.68 \pm 20%	30	25.20	160	0.60	450
EBWS3225-R82M	0.82 \pm 20%	30	25.20	140	0.65	450
EBWS3225-1R0M	1.00 \pm 20%	30	7.960	120	0.70	400
EBWS3225-1R2M	1.20 \pm 20%	30	7.960	100	0.75	390
EBWS3225-1R5M	1.50 \pm 20%	30	7.960	85	0.85	370
EBWS3225-1R8M	1.80 \pm 20%	30	7.960	80	0.90	350
EBWS3225-2R2M	2.20 \pm 20%	30	7.960	75	1.00	320
EBWS3225-2R7M	2.70 \pm 20%	30	7.960	70	1.10	290
EBWS3225-3R3M	3.30 \pm 20%	30	7.960	60	1.20	260
EBWS3225-3R9M	3.90 \pm 20%	30	7.960	55	1.30	250
EBWS3225-4R7M	4.70 \pm 20%	30	7.960	50	1.50	220
EBWS3225-5R6M	5.60 \pm 20%	30	7.960	47	1.60	200
EBWS3225-6R8M	6.80 \pm 20%	30	7.960	43	1.80	180
EBWS3225-8R2M	8.20 \pm 20%	30	7.960	40	2.00	170
EBWS3225-100K	10 \pm 10%	30	2.520	36	2.10	150
EBWS3225-120K	12 \pm 10%	30	2.520	33	2.50	140
EBWS3225-150K	15 \pm 10%	30	2.520	28	2.80	130
EBWS3225-180K	18 \pm 10%	30	2.520	25	3.30	120
EBWS3225-220K	22 \pm 10%	30	2.520	23	3.70	110
EBWS3225-270K	27 \pm 10%	30	2.520	18	5.00	80
EBWS3225-330K	33 \pm 10%	30	2.520	17	5.60	70
EBWS3225-390K	39 \pm 10%	30	2.520	16	6.40	65
EBWS3225-470K	47 \pm 10%	30	2.520	15	7.00	60
EBWS3225-560K	56 \pm 10%	30	2.520	13	8.00	55
EBWS3225-680K	68 \pm 10%	30	2.520	12	9.00	50
EBWS3225-820K	82 \pm 10%	30	2.520	11	10.00	45
EBWS3225-101K	100 \pm 10%	20	0.796	10	11.00	40

* Max Echo reserves the rights for revising the content of this catalog without further notification.

鈺鎧保留更改此目錄中任何內容之權利，而不再另行通知。

MOLDED WIRE WOUND CHIP INDUCTOR

繞線式電感

EBWS series 系列

Electrical Characteristics

電氣特性

SHAPE(尺寸):4532

Part Number 產品料號	Inductance 感值 (μH)	Q Min. 品質係數	Test Frequency L,Q(MHz) 測試頻率	Self-resonant Frequency (MHz)Min 共振頻率	DC Resistance 直流阻抗 (Ω)Max.	Rated Current 耐電流 (mA)Max.
EBWS4532-R10M	0.10 \pm 20%	35	25.2	300	0.18	800
EBWS4532-R12M	0.12 \pm 20%	35	25.2	280	0.20	770
EBWS4532-R15M	0.15 \pm 20%	35	25.2	250	0.22	730
EBWS4532-R18M	0.18 \pm 20%	35	25.2	220	0.24	700
EBWS4532-R22M	0.22 \pm 20%	40	25.2	200	0.25	665
EBWS4532-R27M	0.27 \pm 20%	40	25.2	180	0.26	635
EBWS4532-R33M	0.33 \pm 20%	40	25.2	165	0.28	605
EBWS4532-R39M	0.39 \pm 20%	40	25.2	150	0.30	575
EBWS4532-R47M	0.47 \pm 20%	40	25.2	145	0.32	545
EBWS4532-R56M	0.56 \pm 20%	40	25.2	140	0.36	520
EBWS4532-R68M	0.68 \pm 20%	40	25.2	135	0.40	500
EBWS4532-R82M	0.82 \pm 20%	40	25.2	130	0.45	475
EBWS4532-1R0M	1.00 \pm 20%	50	7.96	100	0.50	450
EBWS4532-1R2M	1.20 \pm 20%	50	7.96	80	0.55	430
EBWS4532-1R5M	1.50 \pm 20%	50	7.96	70	0.60	410
EBWS4532-1R8M	1.80 \pm 20%	50	7.96	60	0.65	390
EBWS4532-2R2M	2.20 \pm 20%	50	7.96	55	0.70	380
EBWS4532-2R7M	2.70 \pm 20%	50	7.96	50	0.75	370
EBWS4532-3R3M	3.30 \pm 20%	50	7.96	45	0.80	355
EBWS4532-3R9M	3.90 \pm 20%	50	7.96	40	0.90	330
EBWS4532-4R7M	4.70 \pm 20%	50	7.96	35	1.00	315
EBWS4532-5R6M	5.60 \pm 20%	50	7.96	33	1.10	300
EBWS4532-6R8M	6.80 \pm 20%	50	7.96	27	1.20	285
EBWS4532-8R2M	8.20 \pm 20%	50	7.96	25	1.40	270
EBWS4532-100K	10 \pm 10%	50	2.52	20	1.60	250
EBWS4532-120K	12 \pm 10%	50	2.52	18	2.00	225
EBWS4532-150K	15 \pm 10%	50	2.52	17	2.50	200
EBWS4532-180K	18 \pm 10%	50	2.52	15	2.80	190
EBWS4532-220K	22 \pm 10%	50	2.52	13	3.20	180
EBWS4532-270K	27 \pm 10%	50	2.52	12	3.60	170
EBWS4532-330K	33 \pm 10%	50	2.52	11	4.00	160
EBWS4532-390K	39 \pm 10%	50	2.52	10	4.50	150
EBWS4532-470K	47 \pm 10%	50	2.52	10	5.00	140
EBWS4532-560K	56 \pm 10%	50	2.52	9.0	5.50	135
EBWS4532-680K	68 \pm 10%	50	2.52	9.0	6.00	130
EBWS4532-820K	82 \pm 10%	50	2.52	8.0	7.00	120
EBWS4532-101K	100 \pm 10%	40	0.796	8.0	8.00	110
EBWS4532-121K	120 \pm 10%	40	0.796	6.0	8.00	110
EBWS4532-151K	150 \pm 10%	40	0.796	5.0	9.00	105
EBWS4532-181K	180 \pm 10%	40	0.796	5.0	9.50	102
EBWS4532-221K	220 \pm 10%	40	0.796	4.0	10.0	100
EBWS4532-271K	270 \pm 10%	40	0.796	4.0	12.0	92
EBWS4532-331K	330 \pm 10%	40	0.796	3.5	14.0	85
EBWS4532-391K	390 \pm 10%	40	0.796	3.0	18.0	80
EBWS4532-471K	470 \pm 10%	40	0.796	3.0	26.0	62
EBWS4532-561K	560 \pm 10%	30	0.796	3.0	30.0	50
EBWS4532-681K	680 \pm 10%	30	0.796	3.0	30.0	50
EBWS4532-821K	820 \pm 10%	30	0.796	2.5	35.0	30
EBWS4532-102K	1000 \pm 10%	20	0.252	2.5	40.0	30

* Max Echo reserves the rights for revising the content of this catalog without further notification.

鈺鎧保留更改此目錄中任何內容之權利. 而不再另行通知.